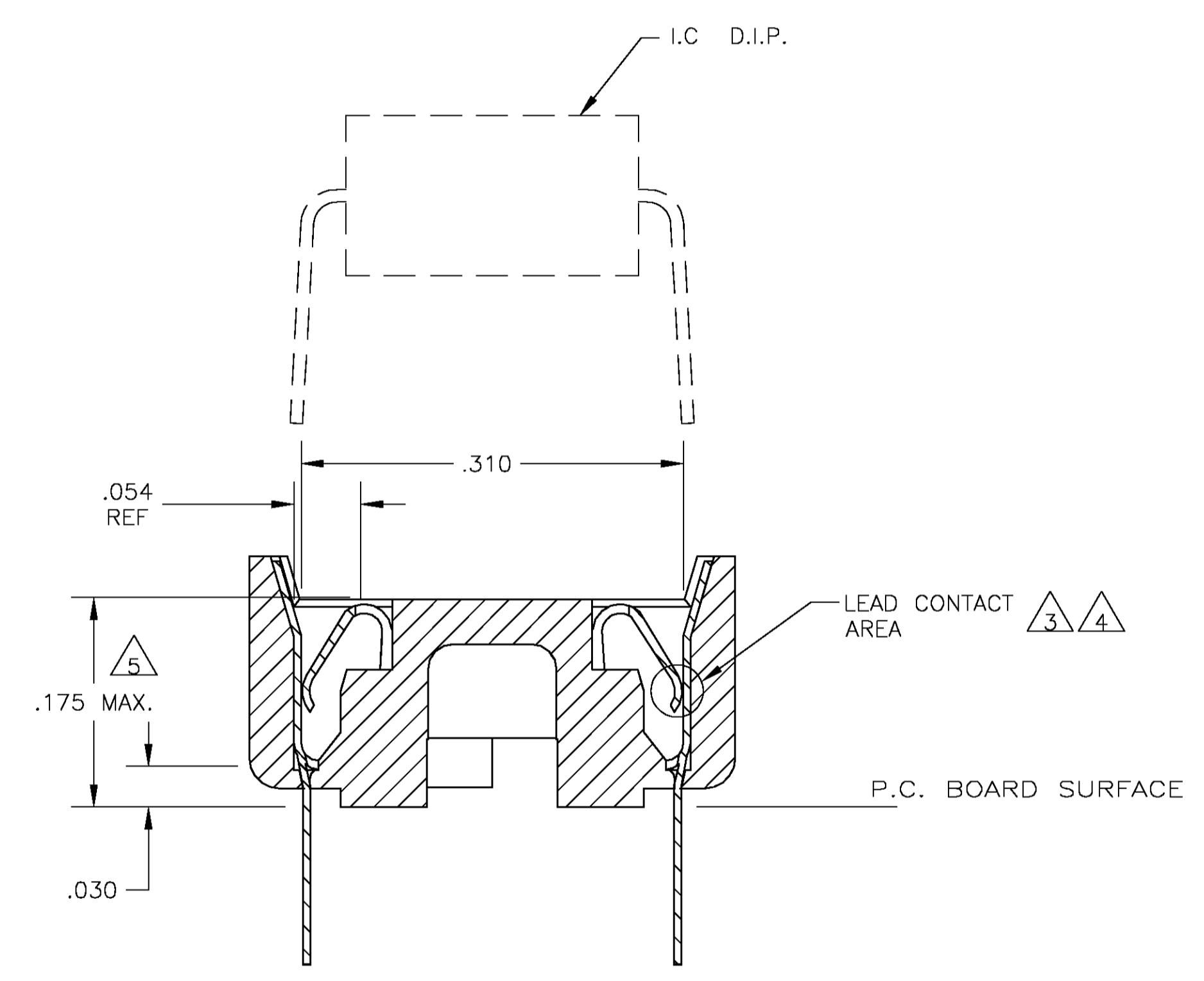
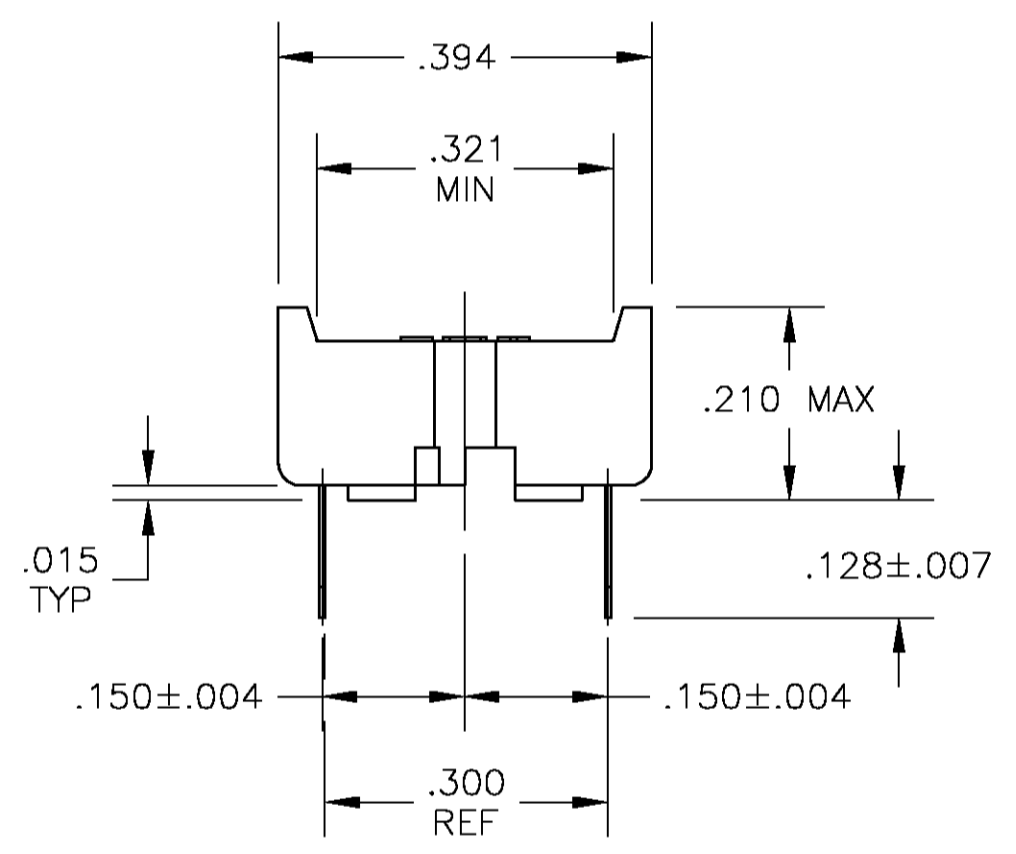
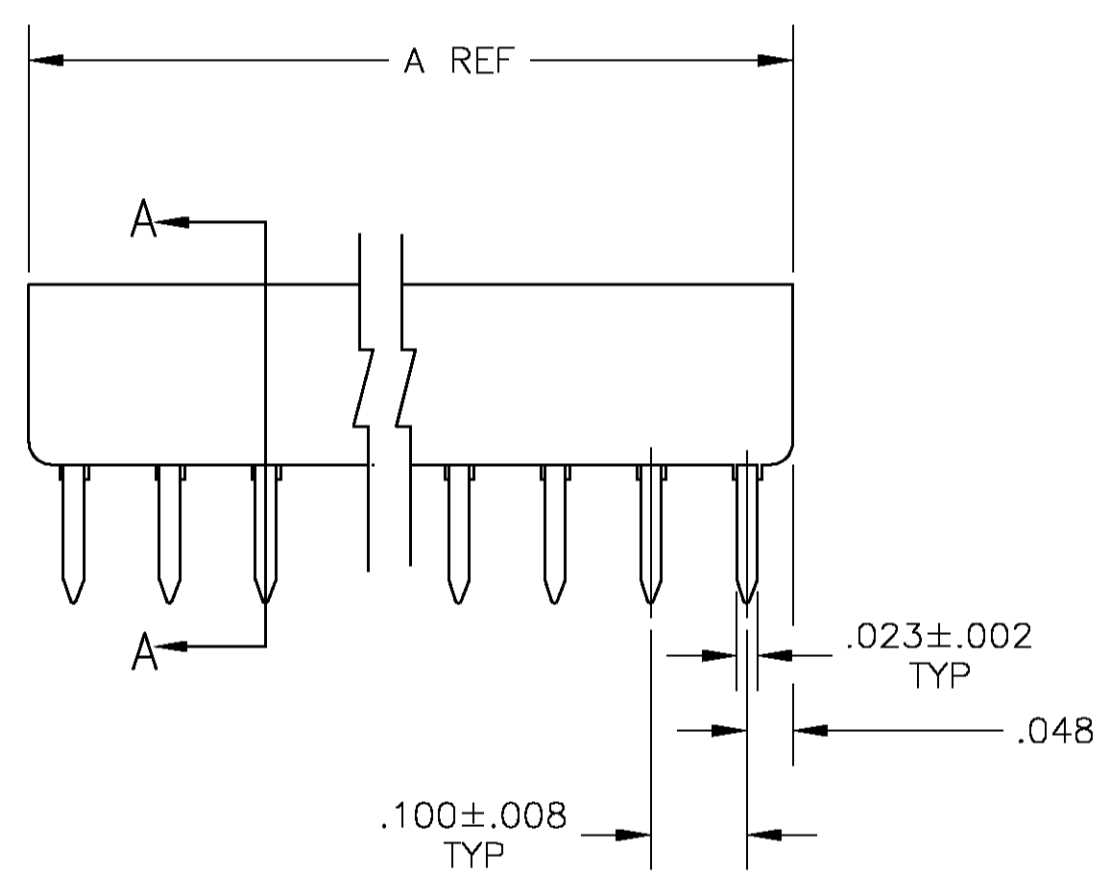
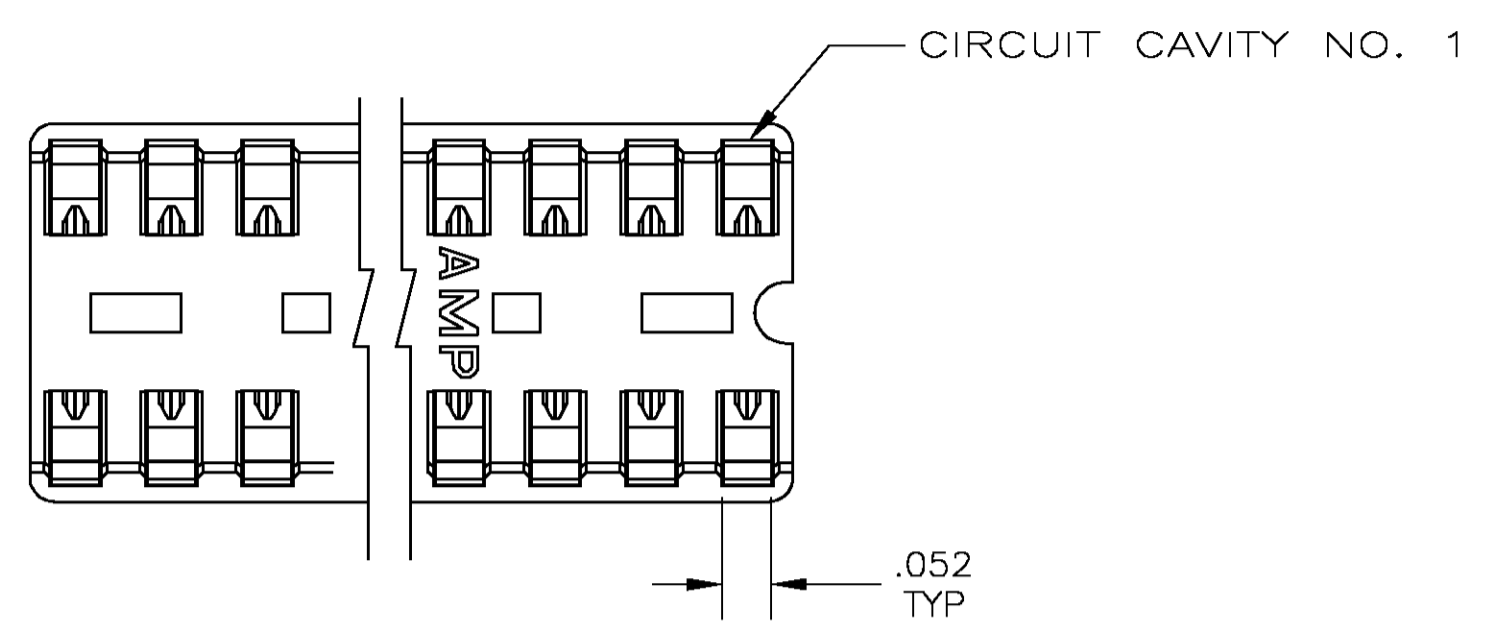
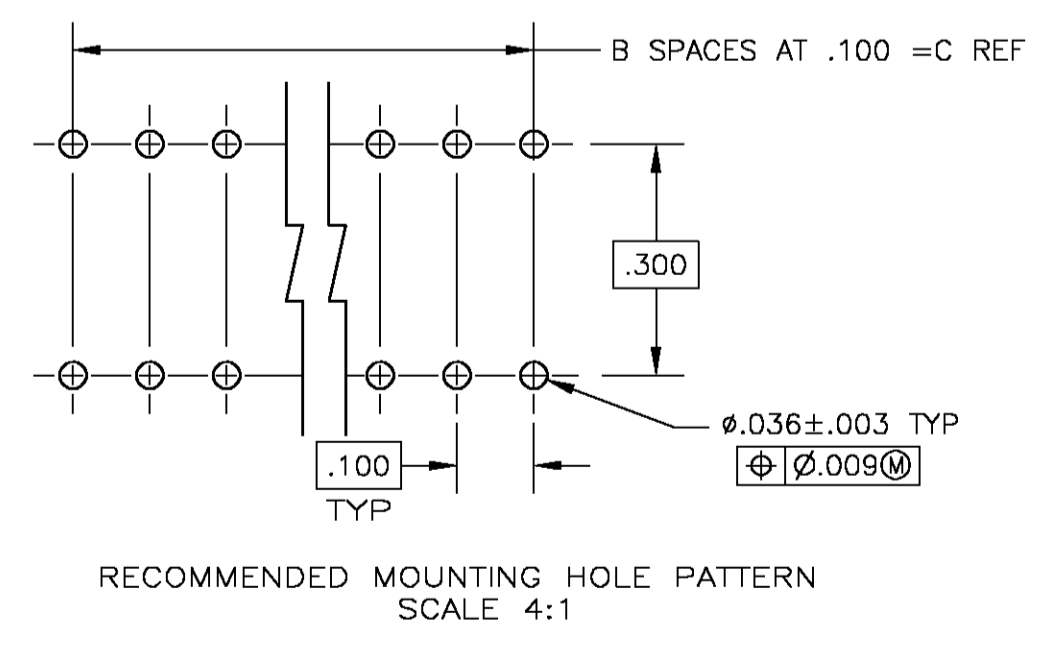


- RECEPTACLE ACCEPTS A .008-.014 THICK I.C. LEAD.
- TUBE LOADED FOR AUTOMATIC INSERTION.
- BEU CONTACT-PLATED WITH TWO .000030 MIN THK. GOLD STRIPES IN CONTACT AREA WITH TIN ON CONTACT LEGS, BALANCE OF CONTACT NICKEL PLATED.
- PHOS. BRONZE CONTACT- PLATED WITH TWO .000015 MIN THK. GOLD STRIPES IN CONTACT AREA WITH TIN ON CONTACT LEGS, BALANCE OF CONTACT NICKEL PLATED.
- MAXIMUM DIMENSION FOR I.C. SEATING PLANE.
- HOUSING MATERIAL-GLASS FILLED THERMOPLASTIC, BLACK, 94V-0



SECTION A-A
 SCALE 10:1



△3	.900	9	.995	20	1-1825093-6
△5	.800	8	.895	18	1-1825093-5
△3	.700	7	.795	16	1-1825093-4
△3	.600	6	.695	14	1-1825093-3
△5	.300	3	.395	8	1-1825093-2
△3	.200	2	.295	6	1-1825093-1
△4	.900	9	.995	20	1825093-6
△4	.800	8	.895	18	1825093-5
△4	.700	7	.795	16	1825093-4
△4	.600	6	.695	14	1825093-3
△4	.300	3	.395	8	1825093-2
△4	.200	2	.295	6	1825093-1

THIS DRAWING IS A CONTROLLED DOCUMENT.

DIMENSIONS: INCHES	TOLERANCES UNLESS OTHERWISE SPECIFIED:	0 PLC ± .005	1 PLC ± .004	2 PLC ± .003	3 PLC ± .002	4 PLC ± .001	ANGLES ± .005
--------------------	--	--------------	--------------	--------------	--------------	--------------	---------------

MATERIAL	FINISH	WEIGHT	SIZE	CAGE CODE	DRAWING NO	RESTRICTED TO
-	-	-	A1	00779	1825093	-

CUSTOMER DRAWING SCALE 5:1 SHEET 1 OF 1 REV A

THIS DRAWING IS A CONTROLLED DOCUMENT. DIM B.S.VISWESWARA ZDAPR2005 C/K K.WRIGHT APVD NAME Tyco Electronics Corporation Harrisburg, Pa 17105-3608

PRODUCT SPEC: DIP SOCKET ASSY, CLOSED, DIPLOMATE, .300 CL, LEAD FREE